



XD5110

INSTALLATION/OWNERS MANUAL **AM/FM/CD Receiver**





Preparation

Please read entire manual before installation.

Before You Start

- Disconnect negative battery terminal.
(consult a qualified technician for instructions)
- Avoid installing the unit where it would be subject to high temperatures, such as from direct sunlight, or where it would be subject to dust, dirt or excessive vibration.

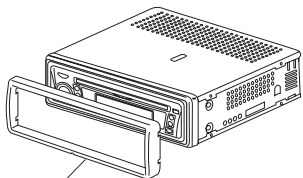
Getting Started

- Remove 2 transit screws located on top of the unit.
- Remove trim ring by pulling up gently in the center.
- Insert the supplied keys into the slots as shown, and slide the unit out of the mounting sleeve.
- Install mounting sleeve into opening, bending tabs to secure.
- Connect wiring harness and antenna.
(consult a qualified technician if you are unsure)
- Certain vehicles may require an installation kit and/or wiring harness adapter (sold separately).
- Test for correct operation and slide into mounting sleeve to secure.
- Snap trim ring into place.

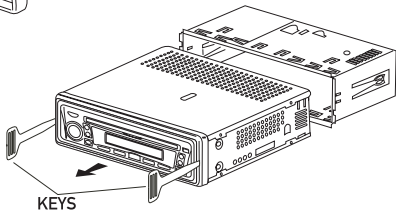
XD5110 INSTALLATION



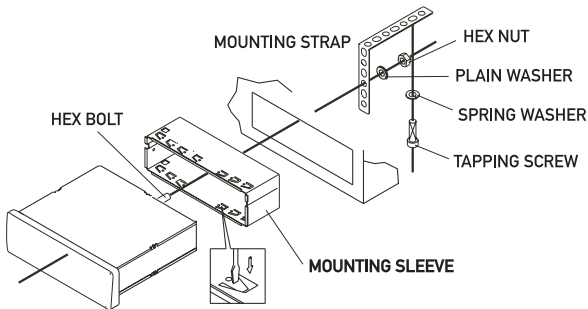
Installation



TRIM RING



KEYS

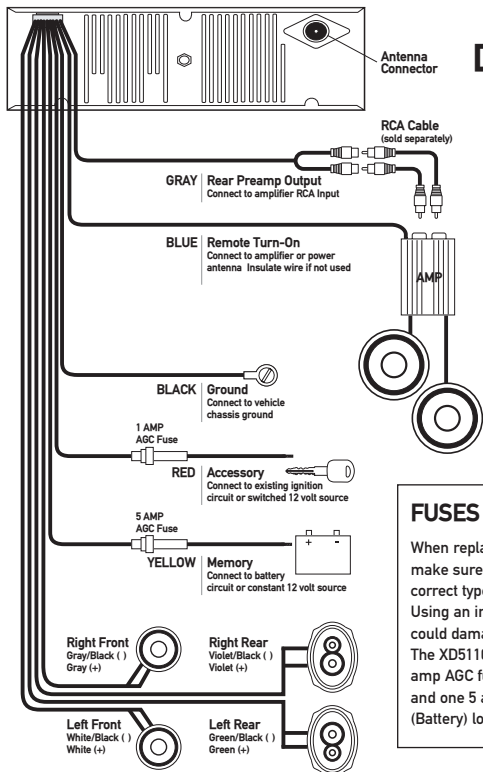


TYPICAL MOUNTING METHOD



XD5110 INSTALLATION

Wiring Diagram



FUSES

When replacing fuses, make sure new fuse is the correct type and amperage. Using an incorrect fuse could damage the radio. The XD5110 uses one 1 amp AGC fuse (Ignition) and one 5 amp AGC fuse (Battery) located in-line.

* CAUTION - Do not attach any speaker leads to ground as severe damage will occur.

Control Locations




- | | |
|----------------------------|------------------------|
| ① Power | ⑧ Play/Pause |
| ② Volume | ⑨ Bass Boost/CD Random |
| ③ Track Up/Down | ⑩ Mono/Stereo/CD Intro |
| ④ Eject | ⑪ Reset |
| ⑤ Band | ⑫ Audio |
| ⑥ Display | ⑬ Tuning |
| ⑦ Local/Distance/CD Repeat | |



General Operation

Power On/Off	Press PWR to turn the unit on. Inserting a CD will turn the unit on automatically. Press PWR to turn the unit off.
CD Mode	Insert a CD or press ▶/ to begin or resume playback.
Tuner Mode	Press PWR or BAND to begin or resume tuner operation.
Bass Boost	Press BASS to activate and deactivate bass boost curve. Activating this feature will enhance the bass frequencies when listening to music at low volumes.
Volume	Adjust volume using VOL ▲ or VOL ▼ (0-63).
Display	Press DISP to display the clock. The radio frequency (tuner mode) or CD track/elapsed time (CD player mode) show by default.
Set the Clock	Press and hold DISP until the clock begins to flash, then release. Press TRACK << to adjust the hours and TRACK >> to adjust the minutes. Press DISP momentarily to save the selected time.

General Operation

Reset	Press and hold for more than 2 seconds to RESET the unit upon initial installation or if abnormal operation occurs.
Audio	Press AUD to select between Volume (default), Bass, Treble, Balance & Fader. 
Bass	Press AUD until BAS appears Press VOLUME ▼ or ▲ to adjust (7 maximum / -7 minimum)
Treble	Press AUD until TRE appears Press VOLUME ▼ or ▲ to adjust (7 maximum / -7 minimum)
Balance	Press AUD until BAL appears Press VOLUME ▼ (LEFT) or ▲ (RIGHT) to adjust (BA.L 10/BA.R 10) BAL 0 represents equal balance.
Fader	Press AUD until FAD appears Press VOLUME ▲ (FRONT) or ▼ (REAR) to adjust (FA.F 10/FA.R 10) FAD 0 represents equal fader.



Tuner Operation

Tuning	Turn TUNE knob to select desired station.
FM Mono/Stereo	Press MONO during FM tuner operation to select mono or stereo (default) reception of the broadcast signal.
Local/Distance	Press LOC to activate local tuning for strong station reception only. Press LOC again to cancel and resume Distance tuning (default).
Band	Press BAND to select between FM and AM bands.

CD Player Operation

Insert CD	With the label facing up, insert a standard CD into the CD slot. The CD will automatically begin playback.
Eject CD	Press the EJECT button to stop and eject the CD. The unit will change to tuner mode. If the disc is not removed within 10 seconds, the unit will reload the disc.
Track Select	Press TRACK >> to skip to the beginning of the next track. Press TRACK << to return to the beginning of the current track. Pressing TRACK << again skips to the beginning of the previous track.
Fast Forward and Reverse	Press and hold TRACK << or TRACK >> to fast forward or reverse a track.
Pause	Press ▶/ to temporarily stop CD playback. Press ▶/ again to resume playback.
Intro	Press INT to play the first 10 seconds of each track. Press INT to cancel.
Repeat	Press RPT to continuously repeat selected track. Press RPT to cancel.
Random	Press RDM for more than 2 seconds to play all tracks in random order. Press RDM again for more than 2 seconds to cancel.
CD-R/CD-RW Compatibility	Some CD-Rs and CD-RWs may be incompatible with this unit, depending on media type and recording method.



XD5110 WARRANTY

Limited One-Year Warranty

This warranty gives you specific legal rights. You may also have other rights which vary from state to state.

Namsung America Inc. warrants this product to the original purchaser to be free from defects in material and workmanship, under normal conditions, for a period of one year from the date of the original purchase.

Namsung America agrees, at our option, during the warranty period, to repair any defect in material or workmanship or to furnish an equal new or renewed product in exchange without charges, subject to verification of the defect or malfunction and proof of the date of purchase.

During the One-Year Warranty Period: For One Year from the date of purchase, your product will be replaced with a new, renewed or comparable product (whichever is deemed necessary) if it becomes defective or inoperative. This is done without charge to you. Replacement products are warranted for the balance of the original warranty period.

Who is covered? This warranty is extended to the original retail purchaser for products purchased and used in the U.S.A., in the 48 contiguous states ONLY.

What is covered? This warranty covers all defects in material and workmanship in this product. The following are not covered:

installation/removal costs, damage resulting from accident, misuse, abuse, neglect, product modification, improper installation, incorrect line voltage, unauthorized repair or failure to follow instructions supplied with the product, or damage occurring during return shipment of the product.

What to do? If the product requires warranty service, you must prepay the initial shipping charges. DUAL will pay the return shipping charges if the product is returned to an address within the USA.

Namsung America Inc.
Attn: Returns Center
21318 64th Ave. South
Kent, WA 98032 U.S.A.
Toll Free: 1-866-626-7863

Exclusion of Certain Damages: This warranty is exclusive and in lieu of any and all other warranties, expressed or implied, including without limitation the implied warranties of merchantability and fitness for a particular purpose and any obligation, liability, right, claim or remedy in contract or tort, whether or not arising from the company's negligence, actual or imputed. No person or representative is authorized to assume for the company any other liability in connection with the sale of this product. In no event shall the company be liable for indirect, incidental or consequential damages.



Specifications

CD Player	Signal-to-noise: >86dB Frequency response: 20Hz-20kHz Channel separation @ 1kHz: >65dB D/A converter: 1 Bit
FM Tuner	Tuning range: 87.5MHz-107.9MHz Usable sensitivity: 12dBf 50dB quieting sensitivity: 16dBf Stereo separation @ 1kHz: 40dB Frequency response: 30Hz-13kHz
AM Tuner	Tuning range: 530kHz-1720kHz AM sensitivity: 30uV Frequency response: 80Hz-2kHz
General	Total power output: 100 Watts Peak Power output: 25Wx4 @ 4 ohms, 14.4 VDC Operating voltage: 11-16 VDC, negative ground Speaker output impedance: 4~8 ohms Fuses: 1 amp fast blow AGC, 5 amp fast blow AGC Dimensions: 7" x 7" x 2" (178 x 178 x 51 mm)

Design and specifications subject to change without notice



XD5110 OPERATION

Troubleshooting

Problem	Cause	Action
Unit will not turn on (no power)	Yellow or red wire not connected or incorrect voltage	Check connections for proper voltage (11~16VDC)
	Black wire not connected	Check connection to ground
	Fuse blown	Replace fuse
Unit has power (but no sound)	Speaker wires not connected	Check connections at speakers
	One or more speaker wires touching each other or touching chassis ground	Insulate all bare speaker wires from each other and chassis ground
Unit blows fuses	Yellow or red wire touching chassis ground	Check for pinched wire
	Speaker wires touching chassis ground	Check for pinched wire
	Incorrect fuse rating	Use fuse with correct rating
Excessive skipping	Unit is not mounted correctly or backstrap is not secure	Check mounting sleeve and backstrap support
	Physical defect in media (CD, CD-R or CD-RW)	Check media for scratches
Err appears on display	Load/Eject operation error	Press eject or RESET

Namsung America Inc.
21318 64th Ave. South
Kent, WA 98032
Toll Free: 1-866-626-7863

www.dualav.com
©2004 Namsung America, Inc.
EVOK0104-V02